



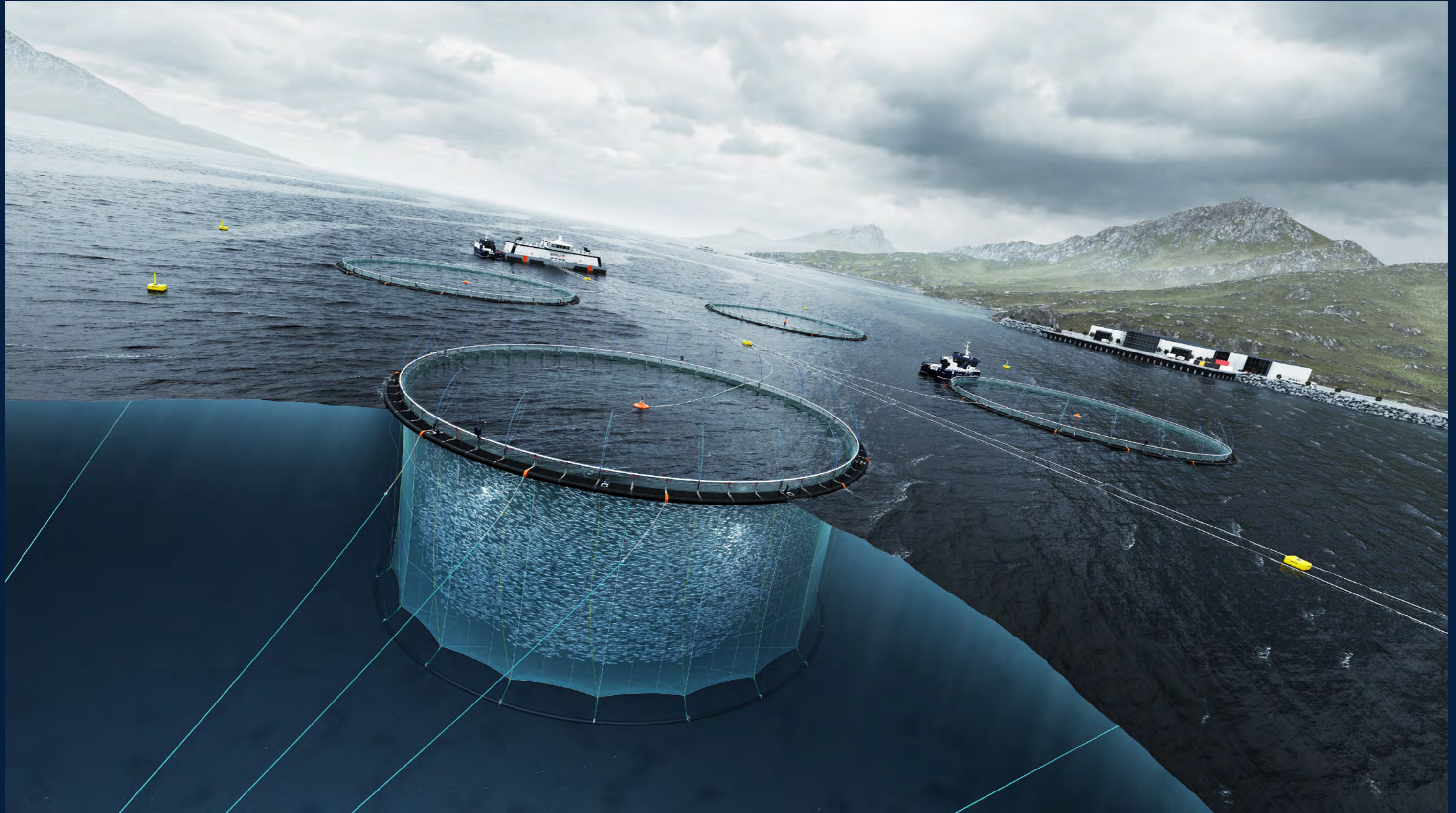
SCALE **AO**

Spreaders

An underwater photograph showing a school of small fish swimming in dark blue water. Numerous bubbles are visible, rising from the bottom and reflecting light. The scene is dimly lit, creating a serene and mysterious atmosphere.

Content

- 04 About ScaleAQ
- 06 Spreaders
- 08 SmartSpreader™
- 12 Airpreader
- 14 Rotofeeder
- 15 Rotofeeder landbased
- 16 Subfeeder



ScaleAQ is a leading global technology provider that supplies and manufactures complete sites for the aquaculture industry in more than 40 countries. The company has approximately 900 employees and offices in Norway, Scotland, Poland, Iceland, Chile, Canada, Tasmania and Vietnam. Through focus on sustainability and biology, ScaleAQ has taken a clear role in ensuring the development of technology on the terms of biology and the environment. We do this by producing and delivering technology, infrastructure and services in a solid, sustainable and innovative way.



Solid

All types of spreaders from ScaleAQ are based on durable and solid solutions. Through decades of optimization, we are now left with good and proven solutions in all aspects.



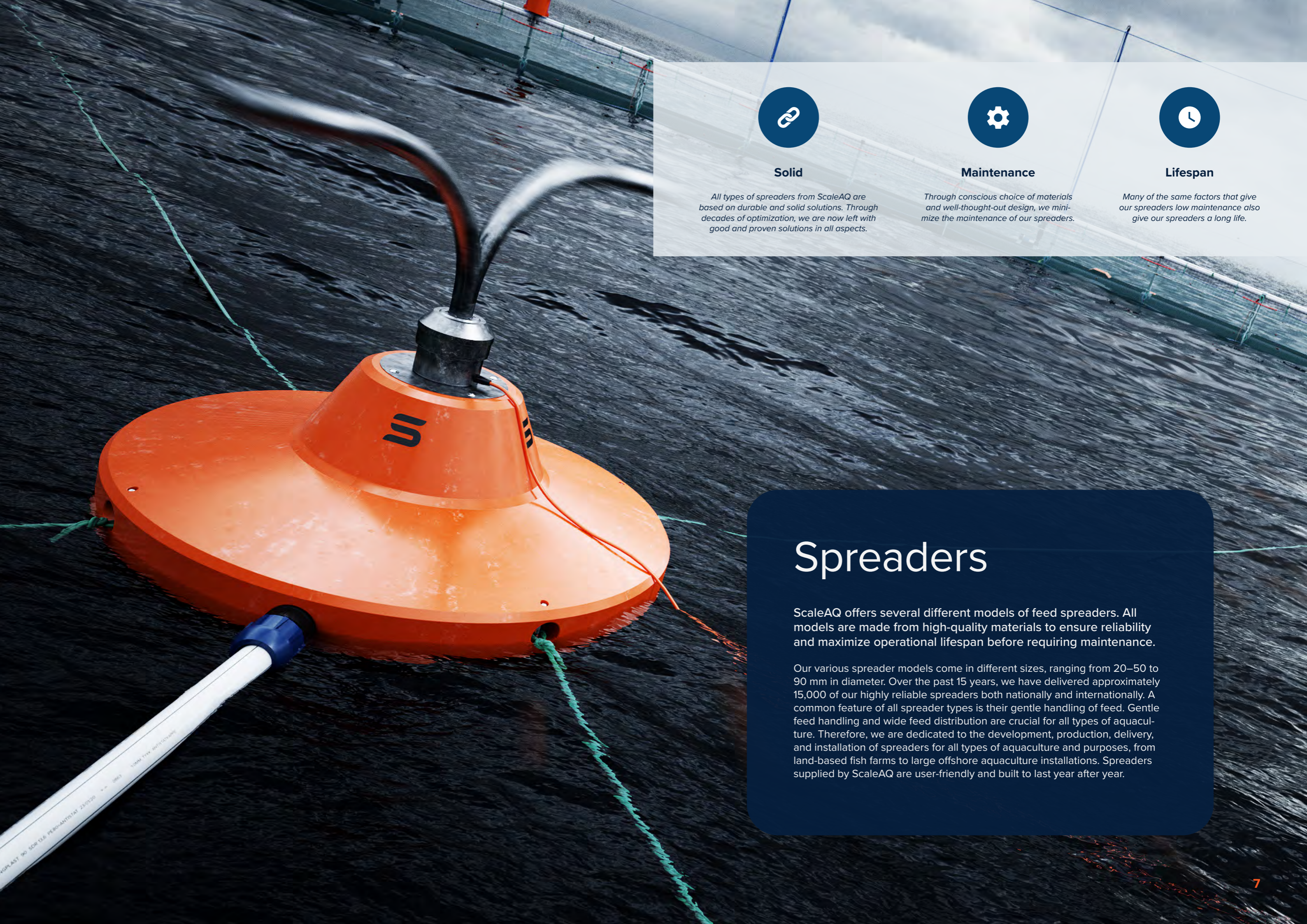
Maintenance

Through conscious choice of materials and well-thought-out design, we minimize the maintenance of our spreaders.



Lifespan

Many of the same factors that give our spreaders low maintenance also give our spreaders a long life.



Spreader

ScaleAQ offers several different models of feed spreaders. All models are made from high-quality materials to ensure reliability and maximize operational lifespan before requiring maintenance.

Our various spreader models come in different sizes, ranging from 20–50 to 90 mm in diameter. Over the past 15 years, we have delivered approximately 15,000 of our highly reliable spreaders both nationally and internationally. A common feature of all spreader types is their gentle handling of feed. Gentle feed handling and wide feed distribution are crucial for all types of aquaculture. Therefore, we are dedicated to the development, production, delivery, and installation of spreaders for all types of aquaculture and purposes, from land-based fish farms to large offshore aquaculture installations. Spreaders supplied by ScaleAQ are user-friendly and built to last year after year.



SmartSpreader™

The SmartSpreader™ is a motorized spreader designed to spread feed even better. The operator can select a pre-defined throwing length or can allow the spreader to follow a specific pattern that ensures an even distribution of pellets across the entire pen surface. Controlling and adjusting the spreader at pen level is easy thanks to our FeedStation software.

Why choose the SmartSpreader™

The SmartSpreader™ is ideal for use when feeding during the start-up phase. By spreading the feed where the fish are instead of the fish having to seek out the feed, more fish will benefit from good feed access and you will achieve smoother and faster growth across your fish stock.

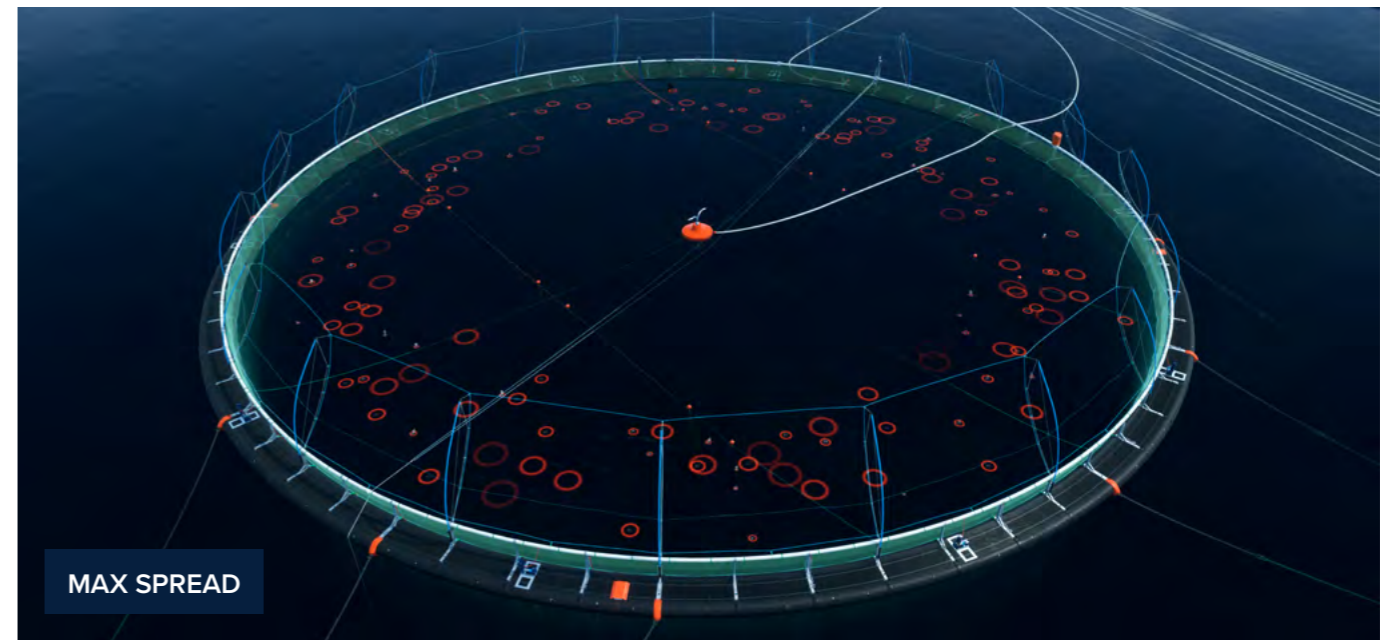
Using the spreader is also advantageous when fish are large. Large fish tend to swim closer to the edge of the pen, so by adjusting the throwing length to this you can ensure all fish in the pen have good feed access.

To date, strong wind and current conditions have been a challenge when it came to feeding. Without any ability to adjust your throwing length, there can be circumstances in which feed either blows away or is drawn out of the pen before the fish are able to eat it. On days like this, you are now in the position to adjust your throwing length to ensure the best possible availability.

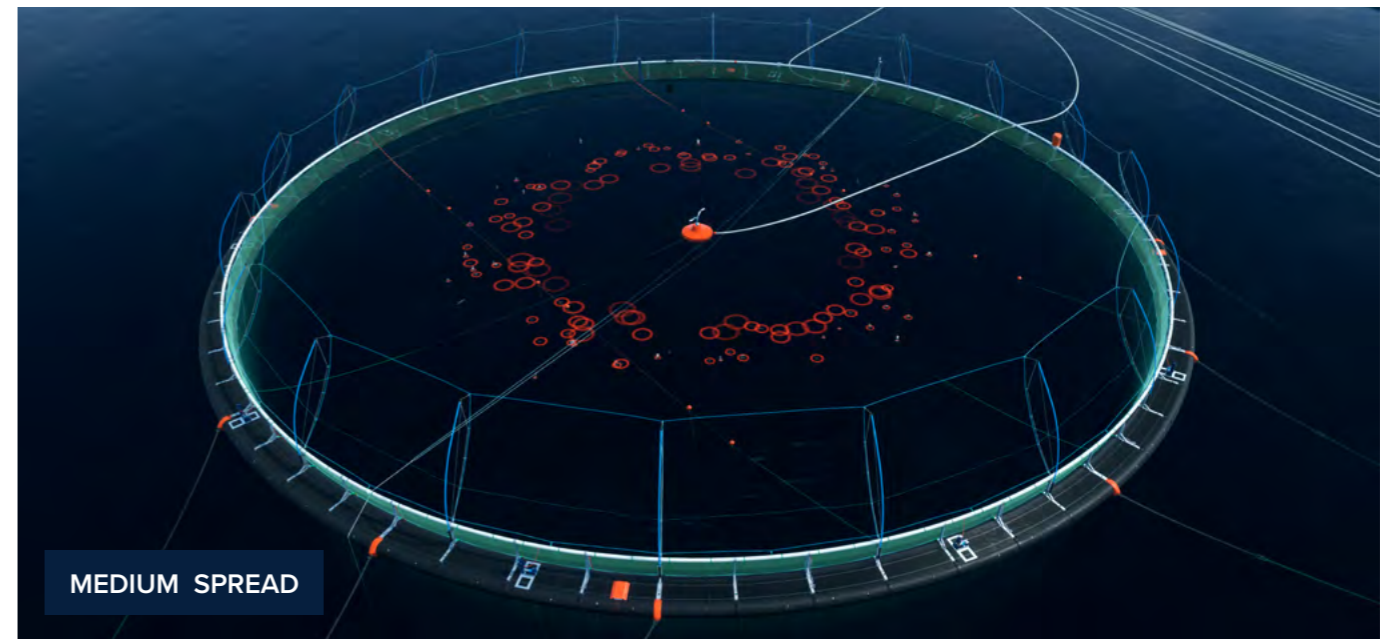
Easy maintenance

The spreader has undergone extensive testing over a harsh winter and spring in northern Norway without a single day of downtime incurred. The technology choices that have been made ensure this is an almost-maintenance-free spreader that will operate even with challenging feed quality.

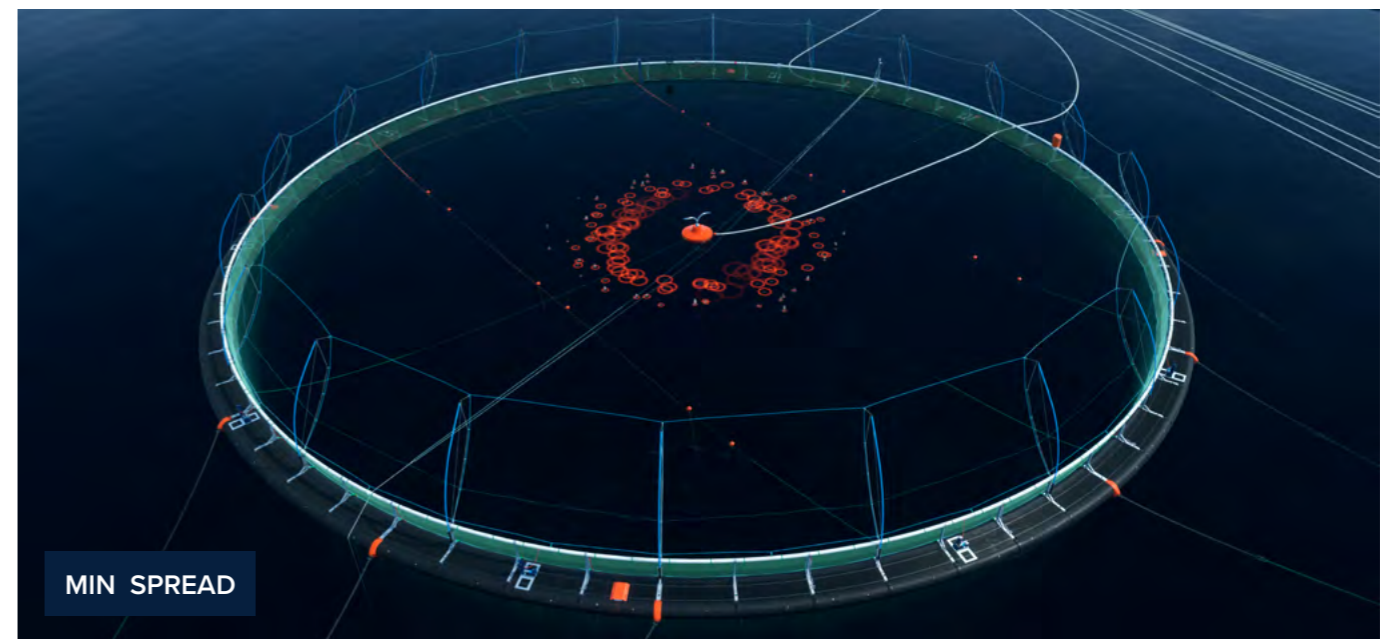
Specifications	
Material spreader	Icorene 4-3545
Material housing and pipes	Stainless steel
Material nozzle	Stainless steel
Feed tube diameter	90 mm
Width	1759,30 mm
Height	1432 mm
Weight	78,5 kg
Pellet size	≥ 3mm
Max speed	250 RPM
Nom. Power @Max Speed	500 W
Power Supply Control Cabinet	200-240 VAC, 50-60 Hz
Communication Control Cabinet	LAN wired/wireless



MAX SPREAD



MEDIUM SPREAD

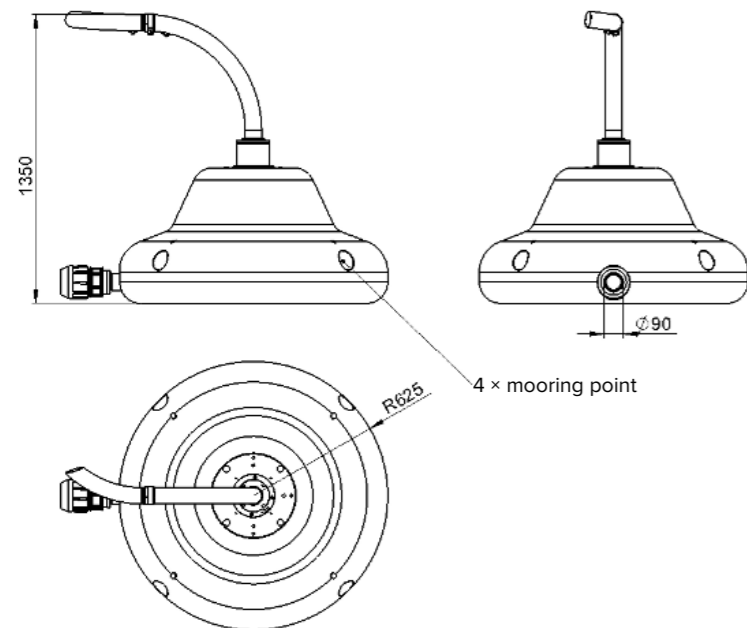


MIN SPREAD

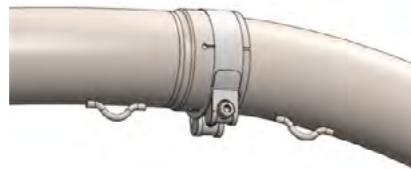
Air spreader

The air spreader is a modern spreader, with long lifetime and a solid construction. Due to the ballast structure, it is very stable in the water, even at high sea.

The bearings are of the highest quality and ensures a long operating time, before service is required. It has a good spread and is very gentle towards the feed. The air spreader is adapted to modern feeding systems and can be used on all sorts of pellets from 3 mm and higher. The spread of the feed can be adjusted to 20 meters in diameter. A solid Magnum union connection provides a robust and reliable connection to the feed tube.



The spreader can be delivered with a nozzle in either stainless steel or plastic. For spreaders with a stainless steel nozzle, safety clips for securing the adjustable end nozzle are standard. The hose clamp is also welded to the nozzle to prevent it from falling off.



Specifications

Material floater	Ocorene 4-3545
Material bearing and pipes	Stainless steel
Material nozzle	PVC Rigid or stainless steel
Feeding tube diameter	90 mm
Pellet size	≥ 3mm
Spread diameter	Up to 20 m

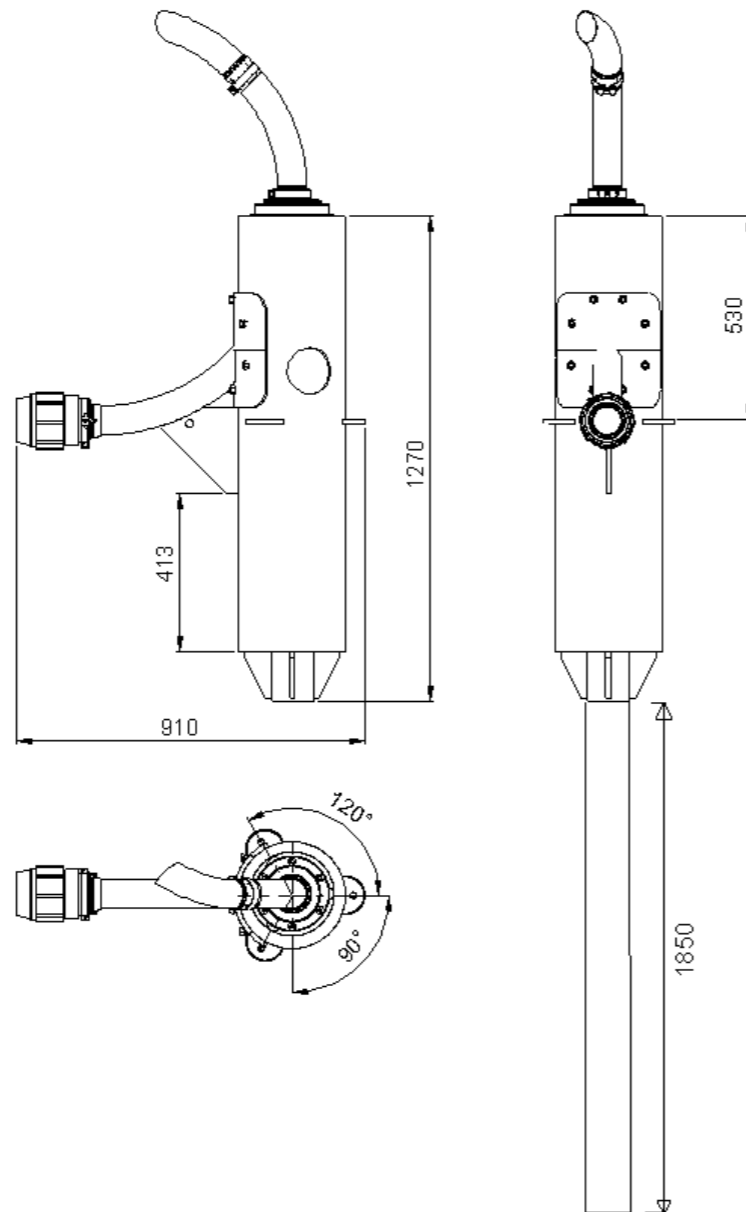




Rotofeeder

The Rotofeeder RTF001 is a modern spreader, with long lifetime and a solid structure. Due to the design of the spreader body with an integrated buoyancy section and ballast structure, it is highly stable, even in very exposed locations.

It is compatible with modern centralized feeding systems with adjustable throwing radius. Joints and pipes are specially designed for minimal crush of feed. The spreader is produced in stainless steel, which ensures long lifetime and no corrosion. This use of materials ensure minimal wear and tear of the pipe components along with associated feed crushing problems. Very solid bearings ensures low friction and long lifetime.



Specifications	
Throwing radius	5–20 m
Material	Acero Inox / HDPE
Hose diameter	90 mm
Pipe diameter	280 mm
Height	3800 mm
Weight	55 kg

Rotofeeder landbased

ScaleAQ's Rotofeeders for land-based/hatchery farming are a proven and reliable choice for gentle feed handling.

The lightweight goosenecks and robust ball bearings result in lower air speeds, leading to less breakage and feed dust. This also results in lower power consumption, reduced backpressure in the feeding system, and less wear on the feeding system and its feed hoses. The short gooseneck and low rotation speed of the Rotofeeder minimize wear on the ball bearing, which requires little maintenance.



RF 20 mm

RF 50 mm

The nearly maintenance-free ball bearing is encapsulated in solid PETP. The ball bearings are recommended to be cleaned once every three months, depending on the dust content in the feed.

Specifications		
Rotofeeder	RF 20 mm	RF 50 mm
Material	Stainless steel, PETP bearing	Stainless steel, PETP bearing
Hose dimension	20 mm	50 mm
Maximum pellet size	7 mm*	10 mm*
Mounting height above water surface	30 cm	40 cm
Throwing length	8 m	10 m
Recommended rotation speed	40-90RPM*/min	40-90RPM*/min
Weight	0,45 kg	1 kg

*Depending on feed type and feeding system



Subfeeder

Through close collaboration with customers, ScaleAQ has developed the Subfeeder. This product was primarily designed to feed fish below the lice belt, thereby reducing lice infestations. Underwater feeding is also ideal for exposed locations.

Feeding from 5 meters and deeper allows fish to avoid the upper water layers during meals, thus minimizing lice attachment. The Subfeeder can be combined with other methods to keep fish below the lice belt. Exposed locations often experience significant feed loss due to wind, or feeding might be impossible altogether. By feeding underwater, these issues are avoided, allowing for feeding regardless of weather conditions. Feedback indicates that controlling the maximum feeding amount is easier with the Subfeeder, especially compared to traditional surface feeding. Water currents and fish activity distribute the pellets, resulting in a more controlled feeding area that makes it easier to monitor feed intake and prevent overfeeding and feed waste.

As with all our feed spreader products, gentle handling of the pellets is a top priority. A cyclone is mounted on top of the Subfeeder to reduce feed speed in a very gentle manner. The feed is then transported down the feeding pipe by its own weight. The Subfeeder has smooth surfaces ensuring that the pellets reach the fish intact. The Subfeeder is built exclusively with corrosion-resistant components and has no moving parts that could compromise longevity and operational reliability. This means minimal maintenance and long service life for the spreaders. The standard feeding depth is 5 meters, but this can be customized to meet customer needs.

Specifications

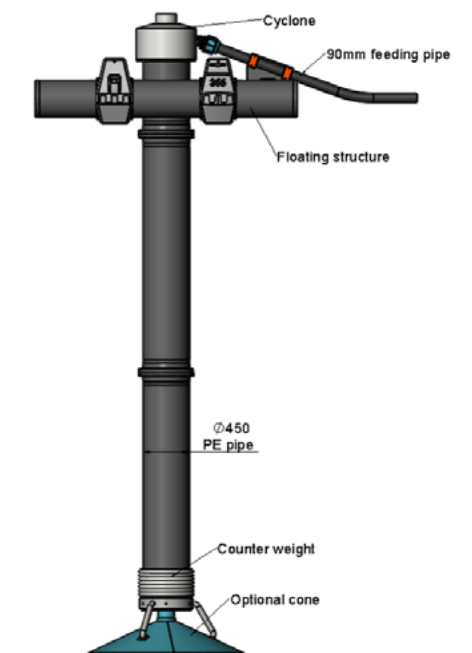
Standard feed hose connection*	90 mm
Dimension of feeding pipe	450 mm
Standard feeding depth*	5 m
Spreader cone	With or without

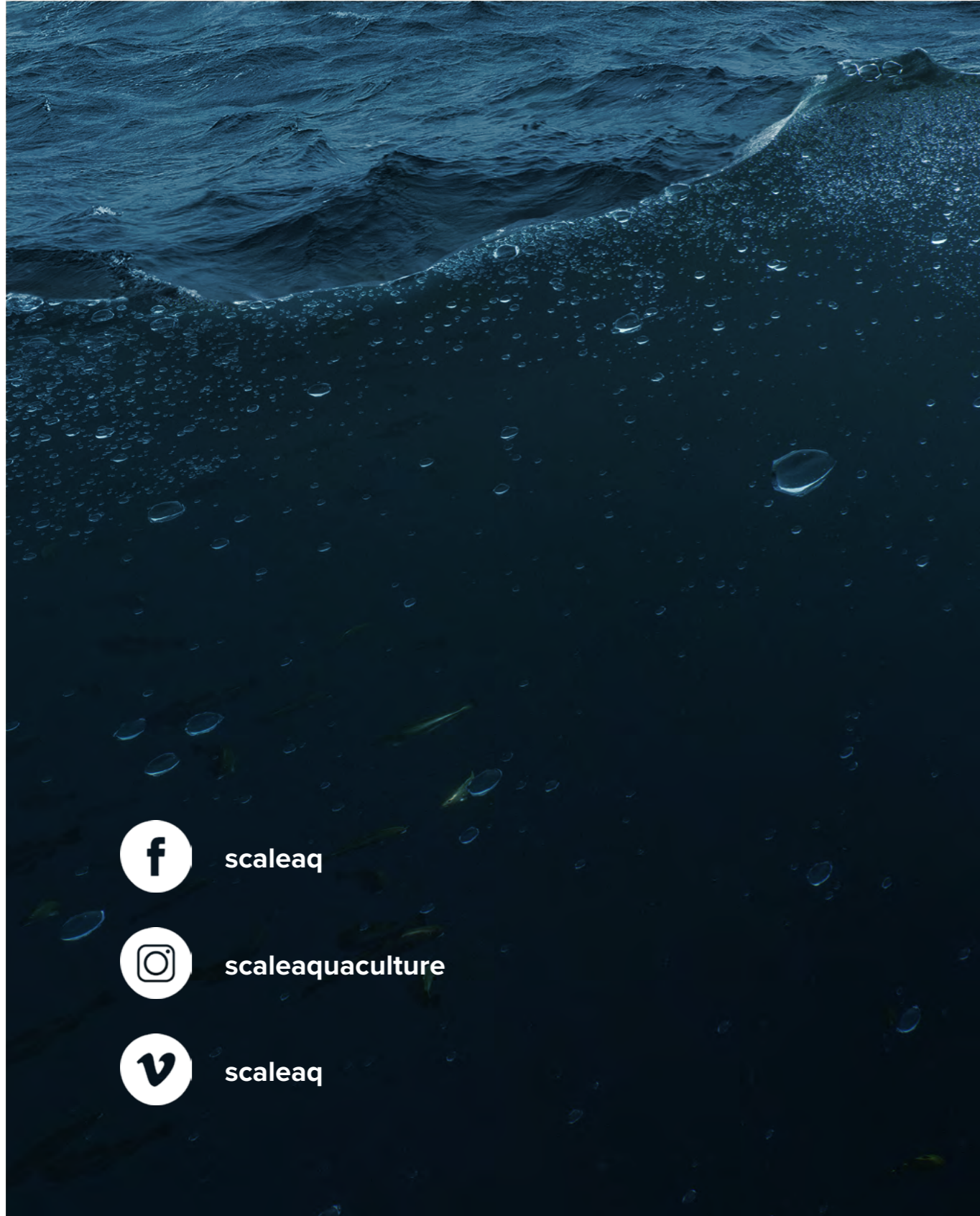
*Other sizes available upon request

Pellet sinking speed

Pellet size [mm]	Sinking speed [seconds/meter]	Sinking speed [meters/second]
3-4	14	approx. 0,065
9-12	7-8	approx. 0,130

The specific gravity of the pellet is approximately 1.15. The speed will increase as the pellet sinks. The figures can therefore be somewhat conservative, depending on the depth at which feeding takes place.





 scaleaq

 scaleaquaculture

 scaleaq

CONTACT

sales@scaleaq.com

+47 488 52 488

